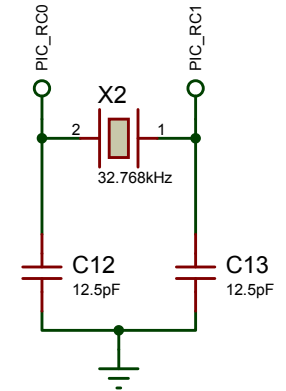
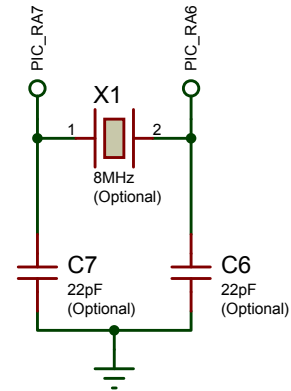
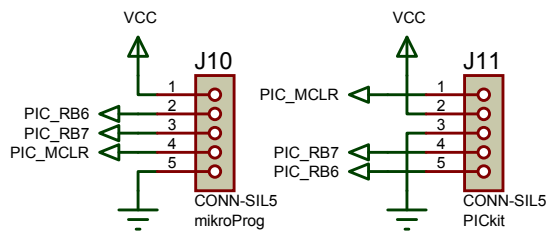
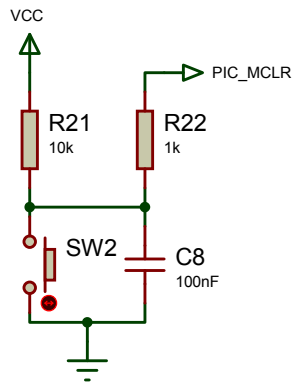
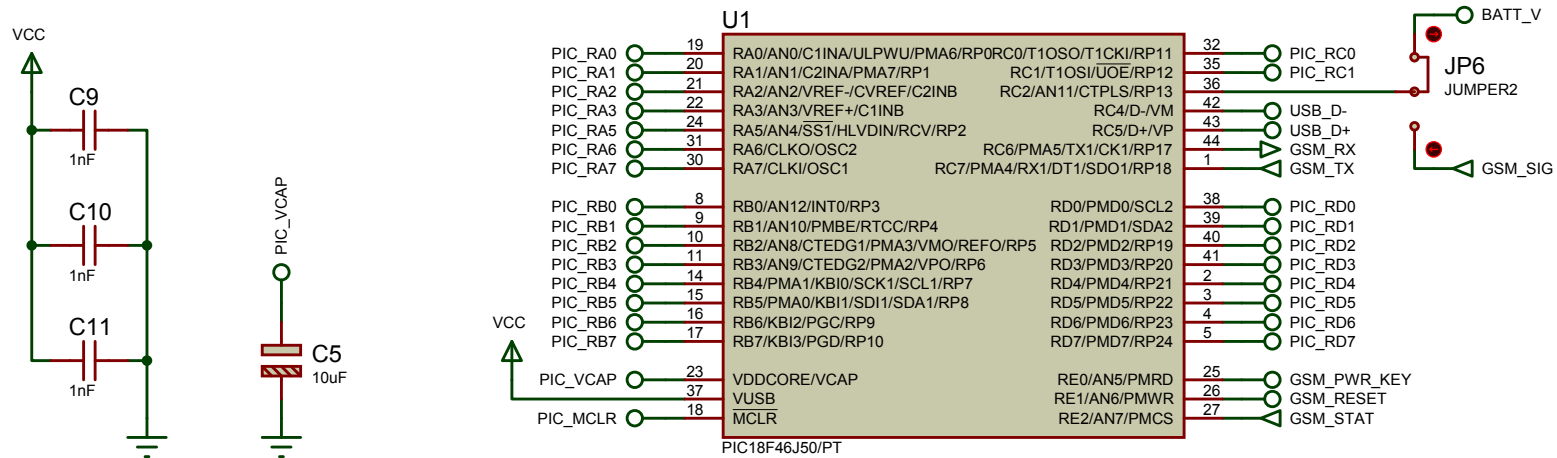


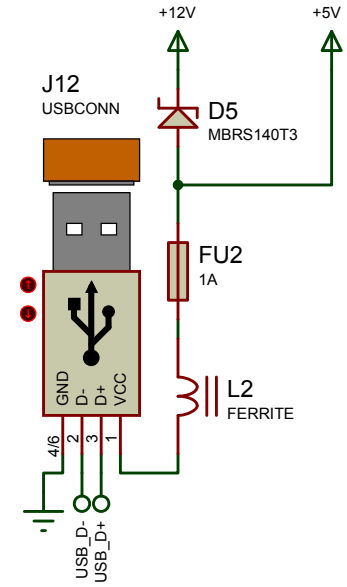
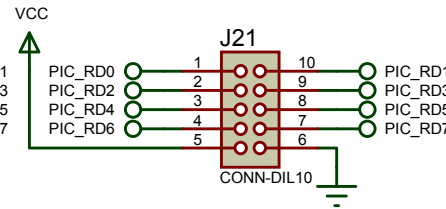
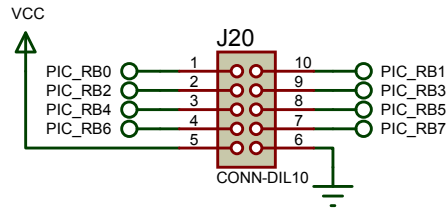
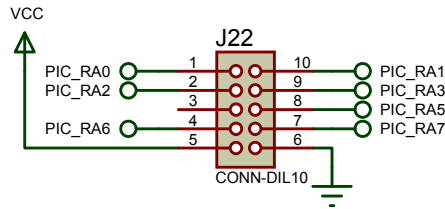
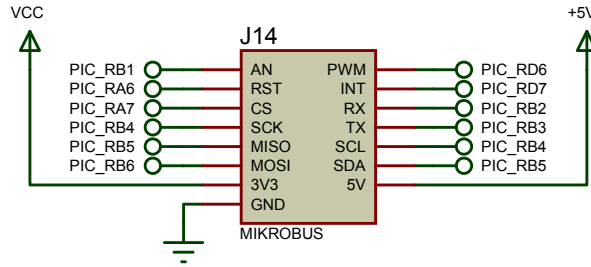
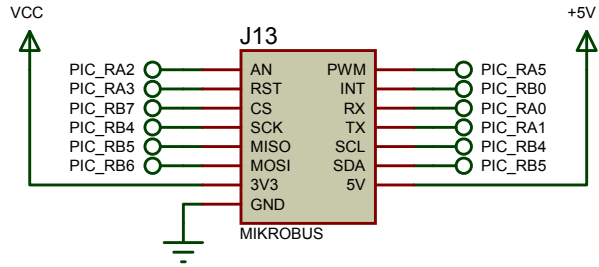
Microcontroller

SimPLC V1.0
 www.dizzy.co.za
 Designed in Proteus
 www.labcenter.co.uk

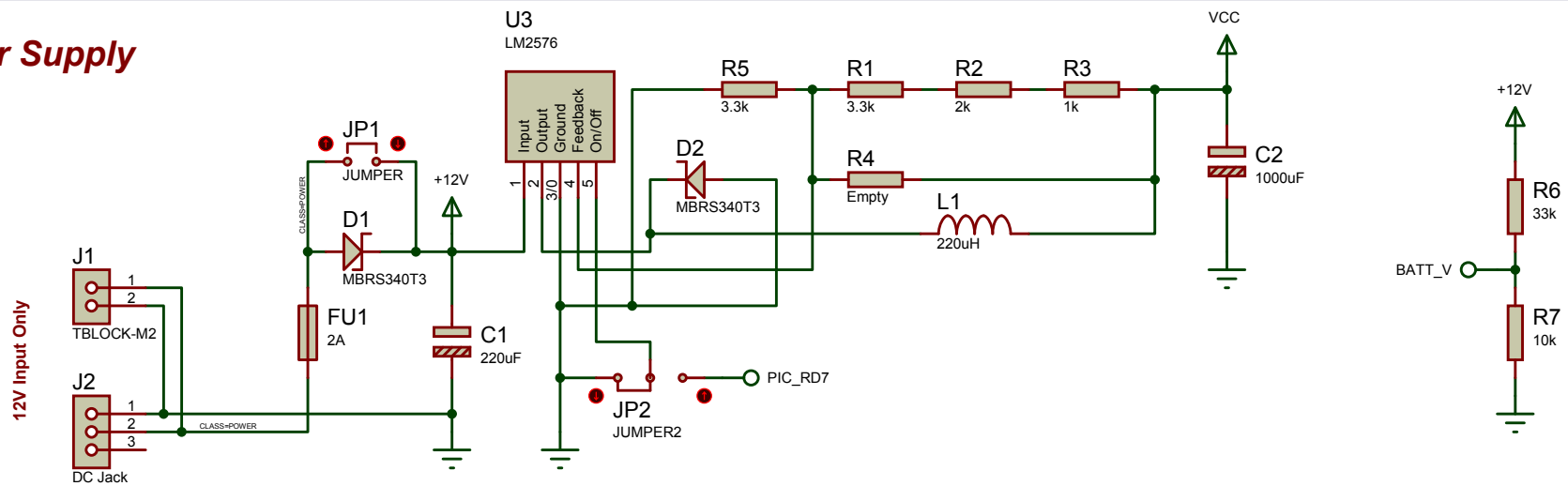


Connectors

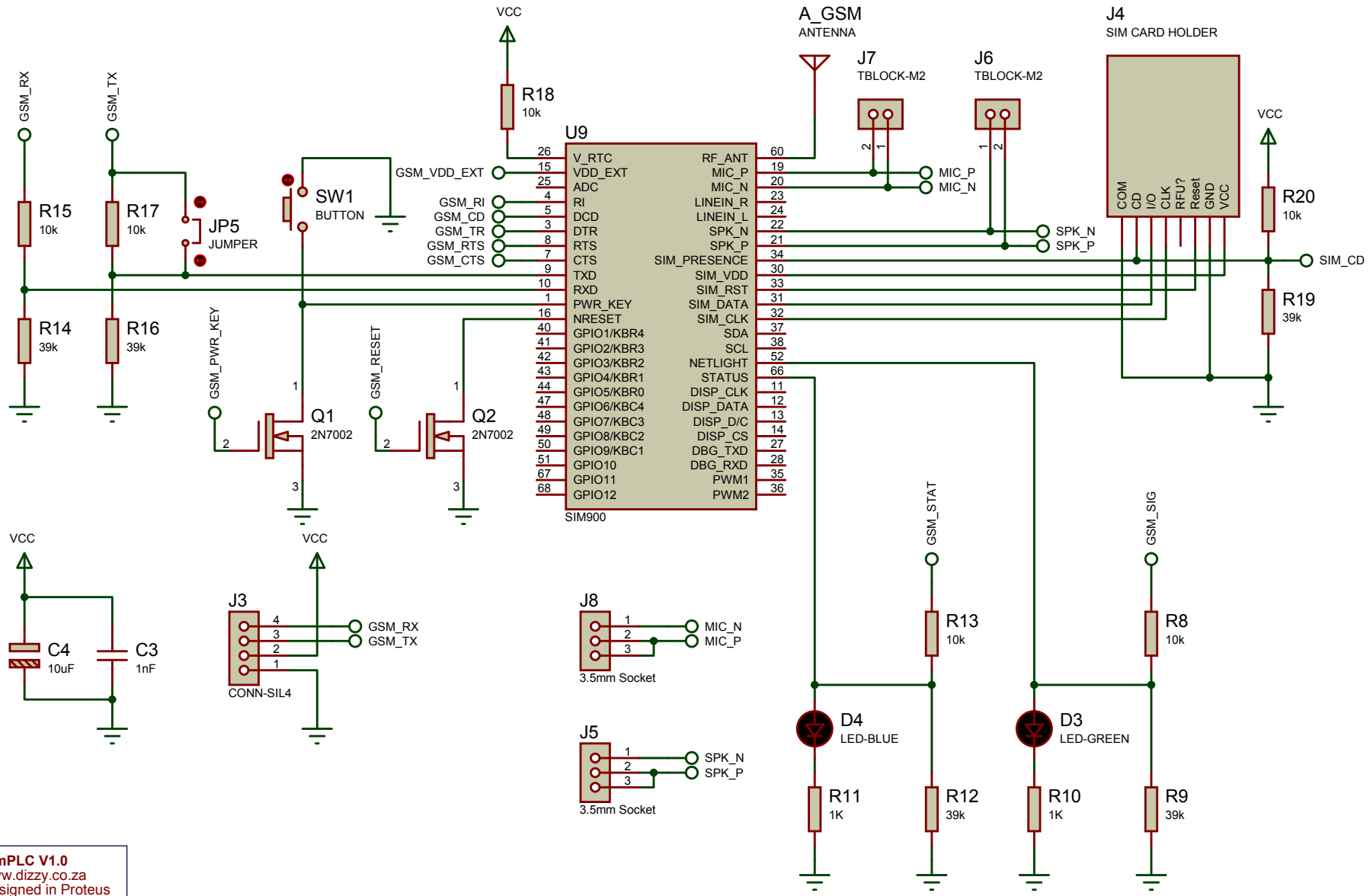
SimPLC V1.0
www.dizzy.co.za
 Designed in Proteus
www.labcenter.co.uk



Power Supply



GSM/GPRS



SimPLC V1.0
www.dizzy.co.za
 Designed in Proteus
www.labcenter.co.uk

Relays

SimPLC V1.0
www.dizzy.co.za
Designed in Proteus
www.labcenter.co.uk

